

PARTING LOCK SETS

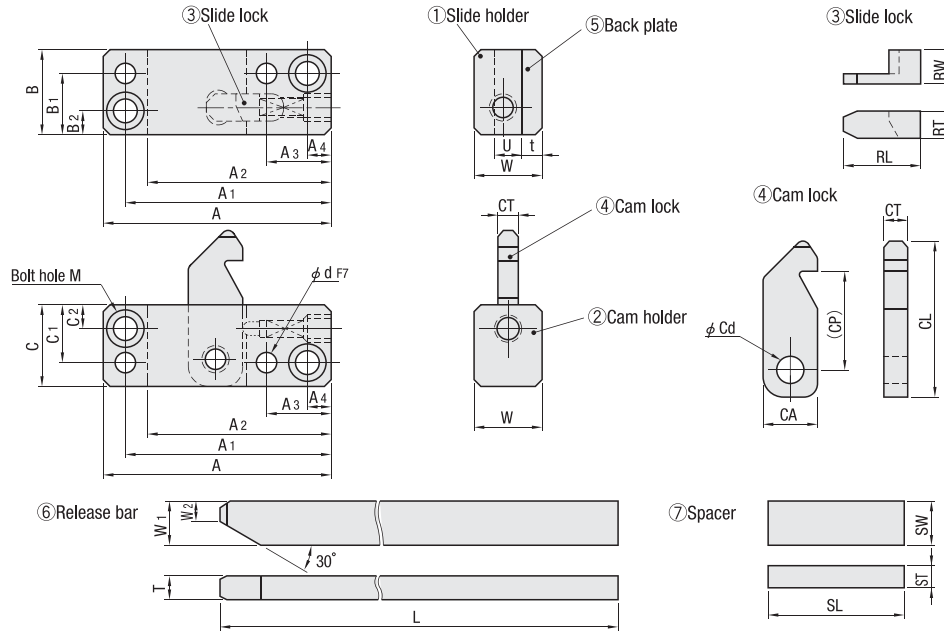
— COMPONENTS (SINGLE) —



Printed in Red

The volume discount rate is also applicable to alteration cost.
All price & lead time are to be quoted.

RoHS



Item	① Slide holder	② Cam holder	③ Slide lock	④ Cam lock	⑤ Back plate	⑥ Release bar	⑦ Spacer
M	SKD61	SKD61	SKD11	SKD11	SK	S45C	S45C
H	50~55HRC	50~55HRC	58HRC~	58HRC~	50HRC~	45HRC~ (Induction hardening)	—

Catalog No.	① Slide holder · ② Cam holder													③ Slide lock				
	A	A1	A2	A3	A4	B	B1	B2	C	C1	C2	W	U	Bolt hole M	d	RL	RT	RW
PLS	68	61.5	55	19	7	26	19	7	24	17	7	20	8	For M6	φ 6	18	7	11
PLM	88	79	70	24	9	38	29	9	30	21	9	30	12	For M8	φ 8	20	9	16
PLL	104	93	82	27	11	48	37	11	38	27	11	45	20	For M10	φ 10	24	12	26

④ Cam lock				⑥ Release bar				⑦ Spacer			Accessories			Catalog No.	U/Price (①~⑦) 1~9 sets		
CL	CP	CA	CT	Cd	t	W1	W2	T	L	SW	ST	SL	Bolt 4 pc.			Dowel pin 4 pc.	Spring 2 pc.
45	28	16	7.5	8	6	13	5.9	7	250	13	6.5	40	CB6-25	MSTM6-30	WHH6-15	PLS	
64	41	20	10	10	7	16	8	10	300	16	8	50	CB8-35	MSTM8-35	WHH8-20	PLM	Quotation
84	53.5	25	18	13	8	20	9.5	15.5	350	20	10.2	55	CB10-50	MSTM10-50	WHH8-20	PLL	

■ Components (Unit) Use when a cam holder unit is necessary, such as during two-color molding or insert molding, or when a lock set with a long release bar is necessary.

Catalog No.	①③⑤+Accessories Slide holder unit	U/Price for 1~9 sets	②④+Accessories Cam holder unit	U/Price for 1~9 sets	⑥(L:300mm)⑦ Release bar long type	U/Price for 1~9 sets
For PLS	PLS-SH	Quotation	PLS-CH	Quotation	PLS-RL	Quotation

⚠ When PLSW with a long release bar is necessary, use PLS-SH, PLS-CH and PLS-RL.

■ Components (Single Items) ⚠ Consumable components-cam locks, slide locks and release bars can be purchased independently.

Catalog No.	③ Slide lock only	U/Price for 1~9	④ Cam lock only	U/Price for 1~9	⑥ Release bar only	U/Price for 1~9
For PLS	PRS		PRK		PRL	
For PLM	PRSM	Quotation	PRKM	Quotation	PRLM	Quotation
For PLL	PRSL		PRKL		PRLL	



Order

Catalog No.

PLM



Delivery

• Printed in Red
SGP Stock

• Other Product
3 Days

Quantity discount rate

Quantity	1~9	10~19	20~49	50~100
Rate	—	5%	10%	15%

⚠ For area out of Singapore please refer to P.i.

Stocks Availability Subjected to Prior Sales.