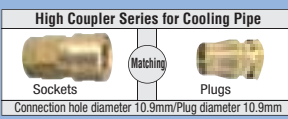


# HIGH COUPLERS FOR COOLING PIPE

—SOCKETS— ~HEAT-RESISTANT 80°C · 120°C SERIES~



Printed in Red

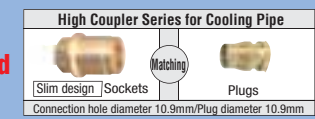


# HIGH COUPLERS FOR COOLING PIPE

—SLIM DESIGN SOCKETS · PLUGS—



Printed in Red



The volume discount rate is also applicable to alteration cost. All price & lead time are to be quoted.

The volume discount rate is also applicable to alteration cost. All price & lead time are to be quoted.

**RoHS**

For hose

**KHSH** (Heat-resistant 80°C)  
**F120-KHSH** (Heat-resistant 120°C)

※ Plug connector (Hole diameter V)

M Brass (C3604)

**RoHS**

Female screw reception type

**KHSM** (Heat-resistant 80°C)  
**F120-KHSM** (Heat-resistant 120°C)

※ Plug connector (Hole diameter V)

M Brass (C3604)

Thread JIS B 0203 tapered thread for tubing R (PT)

⚠ F120-KHSM doesn't correspond to RoHS.

**RoHS**

Male screw reception type

**KHSF** (Heat-resistant 80°C)  
**F120-KHSF** (Heat-resistant 120°C)

※ Plug connector (Hole diameter V)

M Brass (C3604)

Thread JIS B 0203 tapered thread for tubing Rc (PT)

| Matching plug                                | Plug connection parts |      | L    | d1  | Allen side B | For hose |    | Tapered male thread R (PT) | l1 | Tapered female thread Rc (PT) | T  | Catalog No. |     | U/Price 1~9                      |                                   |                        |   |
|--|-----------------------|------|------|-----|--------------|----------|----|----------------------------|----|-------------------------------|----|-------------|-----|----------------------------------|-----------------------------------|------------------------|---|
|  | Hole diameter V       | D    |      |     |              | a        | E  |                            |    |                               |    | Type        | No. | Allowable temperature limit 80°C | Allowable temperature limit 120°C |                        |   |
| Mold Coupler Series Plug tip diameter V=10.9 | 10.9                  | 25.4 | 72.5 | 5   | 19           | 9        | 30 | —                          | —  | —                             | —  | For hose    | 2   | Quotation                        |                                   |                        |   |
|  |                       |      | 76.5 | 7.5 |              | 11.3     | 34 | —                          | —  | —                             | —  | —           | —   |                                  |                                   | For female screw joint | 2 |
|  |                       |      | 55.5 | 7   |              | —        | —  | 1/4                        | 13 | —                             | —  | —           | —   |                                  |                                   | For male screw joint   | 2 |
|  |                       |      | 56.5 | 8   |              | —        | —  | 3/8                        | 14 | —                             | —  | —           | —   |                                  |                                   | —                      | 2 |
|  |                       |      | 49.5 | —   |              | —        | —  | —                          | —  | 1/4                           | 13 | —           | —   |                                  |                                   | —                      | 2 |

- ⚠ Matching Plug: MISUMI's high couplers for cooling pipe KHPM (Ex. KHPM2) · JPLH (Ex. JPLH2) · JPL · LJPL · KHPH · KHPF · JPHL
- Nitto's high couplers □□PM (Ex. 20PM) · □□PH (Ex. 20PH) · □□PF (Ex. 20PF)
- ⚠ Matching Joint Plug Connections: P.121
- ⚠ Use in normal pressure 980kPa (10kgf/cm<sup>2</sup>) or lower.
- ⚠ For KTSH, KTSM and KTF, there is no automatic open/close valve. Please confirm the hydraulic pressure and water temperature before removing the socket.
- ⚠ Guide for socket: P.123,124
- ⚠ Keep water temperature under the allowable temperature.

Order **Catalog No.**  
**KHSH3**

| Quantity discount rate |     |        |
|------------------------|-----|--------|
| Quantity               | 1~9 | 10~100 |
| Rate                   | —   | 5%     |

Delivery **Printed in Red** **Printed in Blue**  
SGP Stock **3** Days

⚠ For area out of Singapore please refer to P.i.

Stocks Availability Subjected to Prior Sales.

**RoHS**

For hose

**F120-MKSH** (Brass)

※ Plug connector (Hole diameter V)

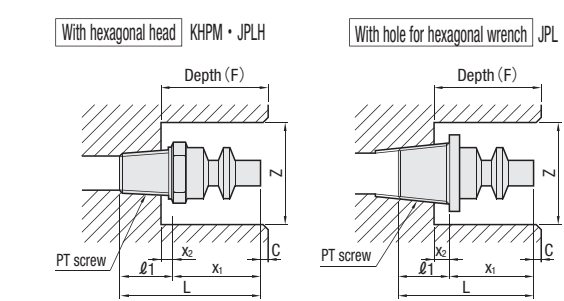
M Brass (C3604)

⚠ This socket is suitable for use with a plug that is embedded into the mold.

| Matching Plugs                           | Plug connection parts |      | D2 | L  | Allen side B | d | For hose |    | Catalog No.              |     | U/Price for 1~9 |
|--|-----------------------|------|----|----|--------------|---|----------|----|--------------------------|-----|-----------------|
|  | Hole diameter V       | D1   |    |    |              |   | a        | E  | Type                     | No. |                 |
| High coupler series plug tip dia. V=10.9 | 10.9                  | 22.5 | 26 | 57 | 19           | 5 | 8.2      | 21 | For hose                 |     | 2               |
|  |                       |      |    |    |              |   | 12       |    | <b>F120-MKSH</b> (Brass) |     |                 |
|  |                       |      |    |    |              |   |          |    |                          |     | Quotation       |

- ⚠ Matching plugs: MISUMI's high couplers for cooling pipe KHPM (Ex. KHPM2) · JPLH (Ex. JPLH2) · JPL · LJPL · KHPH · KHPF and (JPHL)
- Nitto's high couplers □□PM (Ex.02PM) · □□PH (Ex.02PH) · □□PF (Ex.02PF)
- ⚠ Matching Joint Plug Connections: P.121
- ⚠ Use in normal pressure 980kPa (10kgf/cm<sup>2</sup>) or lower.
- ⚠ No automatic open/close valve on the plug side of high couplers for cooling pipe. Please confirm the hydraulic pressure and water temperature before removing the socket. Please be careful especially when the water temperature is high.
- ⚠ Guide for sockets · Plugs: P.123,124
- ⚠ Keep water temperature under 120°C.

## EX Example Slim design How to Embed Plugs into Molds When Using Socket



| Cooling plug (Standard type) |      |                            |               |                  |                      | Attachment Hole |                                       |   |                               |
|------------------------------|------|----------------------------|---------------|------------------|----------------------|-----------------|---------------------------------------|---|-------------------------------|
| Catalog No.                  | Type | Tapered male thread R (PT) | Full length L | Thread length l1 | X2 (reference value) | C               | Counterbore depth F (reference value) | Counterbore hole diameter (When using hexagonal wrench/socket wrench) | Tapered female thread Rc (PT) |
| KHPM                         | 1    | 1/8                        | 37            | 10               | 27                   | 2~4             | 27+X2                                 | —   | 24~                           |
|                              | 2    | 1/4                        | 41            | 13               | 28                   | 2~4             | 28+X2                                 | —   | 24~                           |
|                              | 3    | 3/8                        | 42            | 14               | 28                   | 3~5             | 28+X2                                 | —   | 29~                           |
| JPLH                         | 1    | 1/8                        | 34            | 9                | 25                   | 2~4             | 25+X2                                 | 24~   | 24~                           |
|                              | 2    | 1/4                        | 36            | 11               | 25                   | 2~4             | 25+X2                                 | 24~   | 24~                           |
| JPL                          | 1    | 1/8                        | 32            | 9                | 23                   | 2~4             | 23+X2                                 | 24~   | —                             |
|                              | 2    | 1/4                        | 34            | 11               | 23                   | 2~4             | 23+X2                                 | 24~   | 1/4                           |
|                              | 3    | 3/8                        | 37            | 14               | 23                   | 3~5             | 23+X2                                 | 24~   | 3/8                           |

- Note : 1. Setting C dimension over 2mm will cause the socket to bump on the mold and make attaching/detaching impossible.
- 2. (Reference values) Appropriate dimensions vary depending on the hole diameter as well as the tap's depth and finishing level.

**RoHS**

**KHPM** (Hexagonal head type)

※ Socket connector

※ Plug connector

※ Plug connector (Hole diameter V)

M Brass (C3604)

Thread JIS B 0203 tapered thread for tubing R (PT)

| Matching sockets                            | To be connected to a socket |    | L  | Allen side B | Inner dia. d1 | Tapered thread R (PT) | l1 | Catalog No.         |     | U/Price |           |
|---|-----------------------------|----|----|--------------|---------------|-----------------------|----|---------------------|-----|---------|-----------|
|   | V                           | l  |    |              |               |                       |    | Type                | No. |         |           |
| High couplers series Socket diameter V=10.9 | 10.9                        | 20 | 37 | 14           | 7.5           | 1/8                   | 10 | With hexagonal head |     | 1~9     |           |
|   |                             |    | 41 |              |               | 1/4                   | 13 | 1                   |     |         |           |
|   |                             |    | 42 |              |               | 3/8                   | 14 |                     | 2   |         |           |
|   |                             |    |    |              |               |                       |    |                     |     |         | Quotation |

- ⚠ Matching sockets : MISUMI's high couplers for cooling pipe KHSH (Ex. KHSH2) · KHSM (Ex. KHSM2) · KHSF · F120-KHSH · F120-KHSM · F120-KHSF · F120-MKSH
- Nitto's high couplers □□SH (Ex. 20SH) · □□SM (Ex. K20SM) · □□SF (Ex. 20SF)
- ⚠ Matching Joint Plug Connections: P.121
- ⚠ Use in normal pressure 980kPa (10kgf/cm<sup>2</sup>) or lower.
- ⚠ These plugs are applicable to slim design sockets (F120-MKSH).

Order **Catalog No.**  
**F120-MKSH2**  
**KHPM2**

Delivery **Printed in Red** **Printed in Blue**  
SGP Stock **3** Days

⚠ For area out of Singapore please refer to P.i.

| Quantity discount rate |     |        |
|------------------------|-----|--------|
| Quantity               | 1~9 | 10~100 |
| Rate                   | —   | 5%     |

Stocks Availability Subjected to Prior Sales.