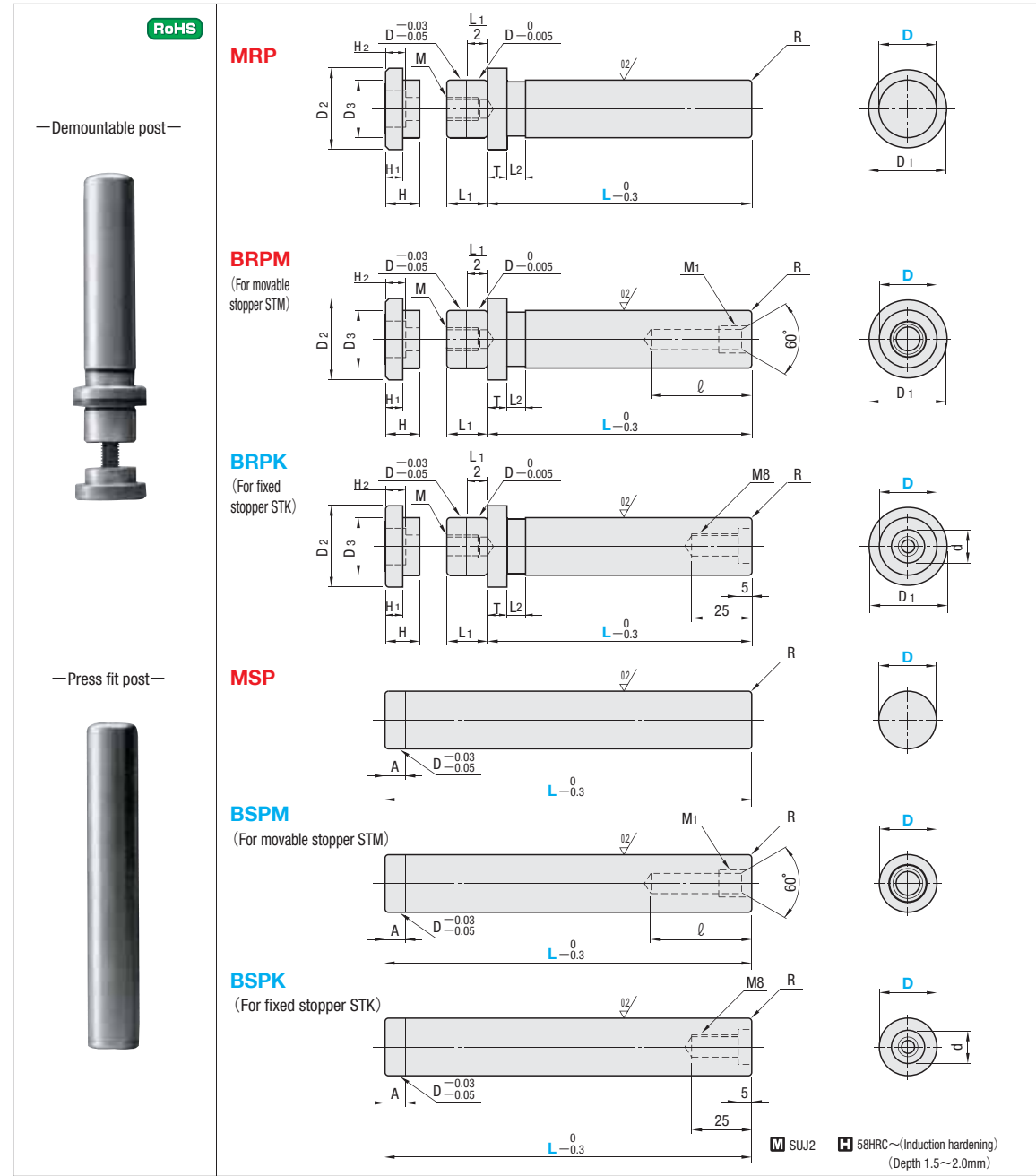


GUIDE POSTS FOR DIE SET



Printed in Red

The volume discount rate is also applicable to alteration cost.
All price & lead time are to be quoted.



| D | D ₁ | T | L ₁ | L ₂ | ℓ | M ₁ ×P | d | A | M | R | D ₂ | D ₃ | H | H ₁ | H ₂ | △ Supplied bolts |
|----|----------------|----|----------------|----------------|----|-------------------|----|--------|-------|---------|----------------|----------------|----|----------------|----------------|------------------|
| 20 | +0.020 | 29 | 5 | 15 | 10 | 38 | 14 | 4 | M8×18 | 2.0 | 28 | 19.5 | 14 | 7 | 8.5 | CB8—25 |
| 22 | +0.015 | 31 | 8 | 42 | | M10×1.5 | | | | | 30 | 21.5 | | | | |
| 25 | | 36 | 18 | 50 | | M12×1.5 | | | | | 35 | 24.5 | | | | |
| 28 | +0.025 | 39 | 20 | 60 | 12 | 20 | 5 | M10×22 | 3.5 | 36 | 27.5 | 16 | 8 | 10.5 | CB10—30 | |
| 32 | +0.020 | 44 | 23 | 60 | | | | | | M12×1.5 | 40 | | | | | 31.5 |
| 38 | +0.030 | 53 | 27 | 60 | | | | | | M16×1.5 | 49 | | | | | 37.5 |
| 45 | +0.025 | 59 | 32 | 70 | 15 | 15 | 6 | M12×27 | 4.0 | 55 | 44.5 | 18 | 10 | 12.5 | CB12—35 | |
| 50 | +0.035 | 69 | 35 | 70 | | | | | | M16×1.5 | 62 | | | | | 49.5 |
| 60 | +0.030 | 79 | 42 | 70 | | | | | | M14×31 | 72 | | | | | 59.5 |

| CatalogNo. Type | D | L | | | | | | | | U/Price Q'ty : 1~9 | | |
|--------------------|-----|-----|-----|------|------|------|------|------|------|--------------------|-----|-------------|
| | | 80* | 90* | 100* | 110* | 120* | 130* | 140* | 150* | 160* | MRP | BRPM · BRPK |
| MRP | 20* | | | | | | | | | | | |
| | 22 | | | | | | | | | | | |
| | 25* | | | | | | | | | | | |
| BRPM* | 28* | | | | | | | | | | | |
| | 32* | | | | | | | | | | | |
| BRPK | 38* | | | | | | | | | | | |
| | 45 | | | | | | | | | | | |
| | 50 | | | | | | | | | | | |
| | 60 | | | | | | | | | | | |

| CatalogNo. Type | D | L | | | | | | | | U/Price Q'ty : 1~9 | | |
|--------------------|----|-----|-----|-----|-----|-----|-----|-----|-----|--------------------|-----|-------------|
| | | 100 | 110 | 120 | 130 | 140 | 150 | 160 | 170 | 180 | MSP | BSPM · BSPK |
| MSP | 20 | | | | | | | | | | | |
| | 22 | | | | | | | | | | | |
| | 25 | | | | | | | | | | | |
| BSPM | 28 | | | | | | | | | | | |
| | 32 | | | | | | | | | | | |
| BSPK | 38 | | | | | | | | | | | |
| | 45 | | | | | | | | | | | |
| | 50 | | | | | | | | | | | |
| | 60 | | | | | | | | | | | |

Order **CatalogNo.** — **L**
BSPM 32 — 180
 • MRP · MSP · BRPM* • BRPM w/o* • Printed in Blue

Delivery **SGP Stock** **3** Days

Alteration **CatalogNo.** — **L(LC)**
MRP 20 — LC77

For area out of Singapore please refer to P.i.

Volume discount rate

| Quantity | 1~9 | 10~19 | 20~29 | 30~50 |
|----------|-----|-------|-------|-------|
| Rate | — | 5% | 10% | 15% |

Alteration **CatalogNo.** — **L(LC)**
MRP 20 — LC77

5 Days **Express T** **Express A** **P.i.**

For area out of Singapore please refer to P.i.

| Alteration | Code | Spec. | Price | | |
|-------------------|------|------------------------------------|-------|--------------------------|--------------|
| | | | D | MRP · MSP BSPM · BSPK | BRPM BRPK |
| MRP · BRPM · BRPK | LC | Changes full length 1mm increments | 20~32 | Quotation | Quotation |
| | | | | | |