
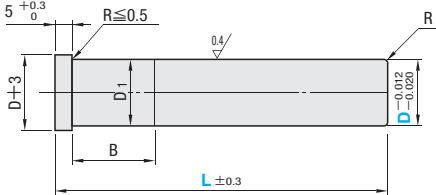

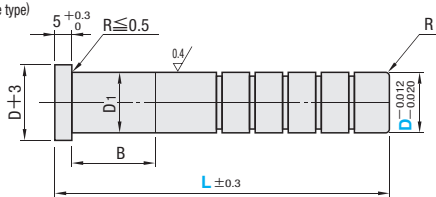




Headed type

All price & lead time are to be quoted.

 RoHS	<p>C-SGPH</p>  <p style="text-align: right;"> M SUJ2 H 58HRC~ </p>
 RoHS	<p>C-SGOH (Oil groove type)</p>  <p style="text-align: right;"> M SUJ2 H 58HRC~ </p>

D ₁	R	B	Catalog No.		L													
			Type	D	10	40	50	60	70	80	90	100	110	120	130	140		
10	$\begin{matrix} +0.014 \\ +0.006 \end{matrix}$	1.0	13	C-SGPH C-SGOH	10	40	50	60	70	80	90	100						
13	$\begin{matrix} +0.015 \\ +0.007 \end{matrix}$	1.5	16		13	40	50	60	70	80	90	100	110	120				
16	$\begin{matrix} +0.015 \\ +0.007 \end{matrix}$		20		16		50	60	70	80	90	100	110	120	130	140		
20	$\begin{matrix} +0.017 \\ +0.008 \end{matrix}$	2.0	25		20			60	70	80	90	100	110	120	130	140		
25	$\begin{matrix} +0.017 \\ +0.008 \end{matrix}$		28		25				70	80	90	100	110	120	130	140		



Order

Catalog No. — **L**

C-SGPH 16 — 100



Delivery

SGP Stock

📍 For area out of Singapore please refer to P.i.

Stock availability


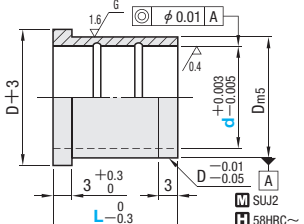
Red : C-SGPH & C-SGOH

Blue : C-SGPH only

Green : C-SGOH only

Grey : Not available

Oil type 📍 Use the stripper guide bushings at room temperatures (40°C or less).

 RoHS	<p>C-SGBH (Press fit type)</p>  <p style="text-align: right;"> M SUJ2 H 58HRC~ </p>	<table border="1"> <thead> <tr> <th rowspan="2">D_{m5}</th> <th rowspan="2">Catalog No.</th> <th colspan="10">L</th> </tr> <tr> <th>Type</th> <th>D</th> <th>10</th> <th>13</th> <th>16</th> <th>20</th> <th>22</th> <th>25</th> <th>30</th> <th>35</th> </tr> </thead> <tbody> <tr> <td>14</td> <td>$\begin{matrix} +0.015 \\ +0.007 \end{matrix}$</td> <td rowspan="5" style="text-align: center; vertical-align: middle;"> C-SGBH </td> <td>10</td> <td style="background-color: #cccccc;">10</td> <td style="background-color: #cccccc;">13</td> <td style="background-color: #cccccc;">16</td> <td style="background-color: #cccccc;">20</td> <td style="background-color: #cccccc;">22</td> <td style="background-color: #cccccc;">25</td> <td></td> <td></td> </tr> <tr> <td>18</td> <td>$\begin{matrix} +0.015 \\ +0.007 \end{matrix}$</td> <td>13</td> <td></td> <td style="background-color: #cccccc;">13</td> <td style="background-color: #cccccc;">16</td> <td style="background-color: #cccccc;">20</td> <td style="background-color: #cccccc;">22</td> <td style="background-color: #cccccc;">25</td> <td style="background-color: #cccccc;">30</td> <td style="background-color: #cccccc;">35</td> </tr> <tr> <td>22</td> <td>$\begin{matrix} +0.017 \\ +0.008 \end{matrix}$</td> <td>16</td> <td></td> <td style="background-color: #cccccc;">13</td> <td style="background-color: #cccccc;">16</td> <td style="background-color: #cccccc;">20</td> <td style="background-color: #cccccc;">22</td> <td style="background-color: #cccccc;">25</td> <td style="background-color: #cccccc;">30</td> <td style="background-color: #cccccc;">35</td> </tr> <tr> <td>25</td> <td>$\begin{matrix} +0.017 \\ +0.008 \end{matrix}$</td> <td>20</td> <td></td> <td></td> <td style="background-color: #cccccc;">16</td> <td style="background-color: #cccccc;">20</td> <td style="background-color: #cccccc;">22</td> <td style="background-color: #cccccc;">25</td> <td style="background-color: #cccccc;">30</td> <td style="background-color: #cccccc;">35</td> </tr> <tr> <td>32</td> <td>$\begin{matrix} +0.020 \\ +0.009 \end{matrix}$</td> <td>25</td> <td></td> <td></td> <td></td> <td style="background-color: #cccccc;">20</td> <td style="background-color: #cccccc;">22</td> <td style="background-color: #cccccc;">25</td> <td style="background-color: #cccccc;">30</td> <td style="background-color: #cccccc;">35</td> </tr> </tbody> </table>	D _{m5}	Catalog No.	L										Type	D	10	13	16	20	22	25	30	35	14	$\begin{matrix} +0.015 \\ +0.007 \end{matrix}$	C-SGBH	10	10	13	16	20	22	25			18	$\begin{matrix} +0.015 \\ +0.007 \end{matrix}$	13		13	16	20	22	25	30	35	22	$\begin{matrix} +0.017 \\ +0.008 \end{matrix}$	16		13	16	20	22	25	30	35	25	$\begin{matrix} +0.017 \\ +0.008 \end{matrix}$	20			16	20	22	25	30	35	32	$\begin{matrix} +0.020 \\ +0.009 \end{matrix}$	25				20	22	25	30	35
D _{m5}	Catalog No.	L																																																																														
		Type	D	10	13	16	20	22	25	30	35																																																																					
14	$\begin{matrix} +0.015 \\ +0.007 \end{matrix}$	C-SGBH	10	10	13	16	20	22	25																																																																							
18	$\begin{matrix} +0.015 \\ +0.007 \end{matrix}$		13		13	16	20	22	25	30	35																																																																					
22	$\begin{matrix} +0.017 \\ +0.008 \end{matrix}$		16		13	16	20	22	25	30	35																																																																					
25	$\begin{matrix} +0.017 \\ +0.008 \end{matrix}$		20			16	20	22	25	30	35																																																																					
32	$\begin{matrix} +0.020 \\ +0.009 \end{matrix}$		25				20	22	25	30	35																																																																					



Order

Catalog No. — **L**

C-SGBH 16 — 20



Delivery

SGP Stock

📍 For area out of Singapore please refer to P.i.

Stock availability

Red : C-SGBH

Grey : Not available

The diameter and size highlighted in grey are not available. If you would like MISUMI to stock any particular size, please contact us misumi_pm@misumi.com.sg