


HEXAGON SOCKET HEAD CAP SCREWS / SPRING WASHERS



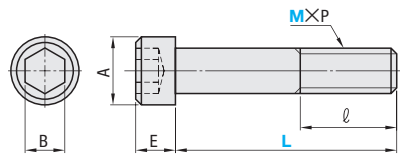
Printed in Red

The quantity discount rate is also applicable to alteration cost.
All price & lead time are to be quoted.



RoHS

CB



Ⓜ Detailed dimensions Ⓜ Right Page

Ⓜ SCM435 (M3~M20)
SCM440 (M24)

Ⓜ 38~43HRC (M3~M20)
32~37HRC (M24)

Threaded part : JIS B 0205 grade 2

Ⓜ Black oxide (FeSO4)

(Precision of bolts JIS B 1176)

Strength class 12.9 (M3~M20)
10.9 (M24)

ℓ	Catalog No.		U/Price		Q'ty	
	Type	M-L	Less	Over		
Full thread	CB 3-	5			800	
		6				
		8				
		10				
		12				
		14				
		15				
		16				600
		18				
		20				
		22				
		25				
		30				
		35				200
		40				
		45				
		50				500
		55				
60						
65						
Full thread	CB 4-	5			600	
		6				
		8				
		10				
		12				400
		14				
		15				
		16				
		18				
		20				
		22				200
		25				
		30				
		35				
		40				100
		45				
		50				
		55				400
60						
65						
70				300		
75						
Full thread	CB 5-	5			1000	
		6				400
		8				600
		10				
		12				
		14				
		15				400
		16				
		18				
		20				
		22				
		25				
		30				200
		35				
		40				
		45				
		50				100
		55				
60						
65						
70						
75						
Full thread	CB 6-	6			500	
		8				400
		10				300
		12				
		14				
		15				
		16				
		18				
		20				200
		22				
		25				
		30				
		35				
		40				
		45				
		50				
		55				
		60				
65						
70						
75						
80				100		
85						
90						
95						
100						
110						
120						
130						
140						
150						
160						
170						
180						
190						
200						
210						
Full thread	CB 8-	8			200	
		10				
		12				
		15				
		16				
		18				
		20				
		22				
		25				
		30				
		35				
		40				
		45				
		50				
		55				
		60				
		65				
		70				
75						
80						
85						
90						
95						
100						
Full thread	CB 10-	10			100	
		12				
		15				
		16				
		18				
		20				
		22				
		25				
		30				
		35				
		40				
		45				
		50				
		55				
		60				
		65				
		70				
		75				
80						
85						
90						
95						
100						
Full thread	CB 12-	12			40	
		130				
		140				
		150				
		160				
		170				
		180				
		190				
		200				
		210				
		220				
		230				
		240				
		250				
		260				
		270				
		280				
		290				
300						
310						
320						
Full thread	CB 14-	30			50	
		35				
		40				
		20				
		25				
		30				
		35				
		40				
		45				
		50				
		55				
		60				
		65				
		70				
		75				
		80				
		85				
		90				
95						
100						
Full thread	CB 16-	20			50	
		25				
		30				
		35				
		40				
		45				
		50				
		55				
		60				
		65				
		70				
		75				
		80				
		85				
		90				
		95				
		100				
		110				
120						
130						
140						
150						
160						
170						
180						
190						
200						
210						
220						
230						
240						
250						
260						
270						
280						
290						
300						
310						
320						
Full thread	CB 20-	40			30	
		45				
		50				
		55				
		60				
		65				
		70				
		75				
		80				
		85				
		90				
		95				
		100				
		110				
		120				
		130				
		140				
		150				
160						
170						
180						
190						
200						
210						
220						
230						
240						
250						
Full thread	CB 24-	50			20	
		60				
		70				
		80				
		90				
		100				
		110				
		120				
		130				
		140				
		150				

ℓ	Catalog No.		U/Price		Q'ty	
	Type	M-L	Less	Over		
36	CB 12-	110			40	
		120				
		130				
		140				
		150				
		160				
		170				
		180				
		190				
		200				
		210				
		220				
		230				
		240				
		250				
		260				
		270				
		280				
290						
52	CB 14-	30			50	
		35				
		40				
44	CB 16-	20			50	
		25				
		30				
		35				
		40				
		45				
		50				
		55				
		60				
		65				
		70				
		75				
		80				
		85				
		90				
		95				
		100				
		110				
120						
130						
140						
150						
160						
170						
180						
190						
200						
210						
220						
230						
240						
250						
260						
270						
280						
290						
300						
310						
320						

ℓ	Catalog No.		U/Price		Q'ty	
	Type	M-L	Less	Over		
60	CB 20-	40			30	
		45				
		50				
		55				
		60				
		65				
		70				
		75				
		80				
		85				
		90				
		95				
		100				
		110				
		120				
		130				
		140				
		150				
60	CB 24-	50			20	
		60				
		70				
		80				
		90				
		100				
		110				
		120				
		130				
		140				
		150				

CB				
MXP	A	E	B	
3X0.5	5.5	3	2.5	
4X0.7	7	4	3	
5X0.8	8.5	5	4	
6X1.0	10	6	5	
8X1.25	13	8	6	
10X1.5	16	10	8	
12X1.75	18	12	10	
16X2.0	24	16	14	
20X2.5	30	20	17	
24X3.0	36	24	19	

Order Catalog No. **CB 8 - 40**
 • Printed in Red • Printed in Blue

Delivery SGP Stock **3** Days
 ☺ For area out of Singapore please refer to P.I.