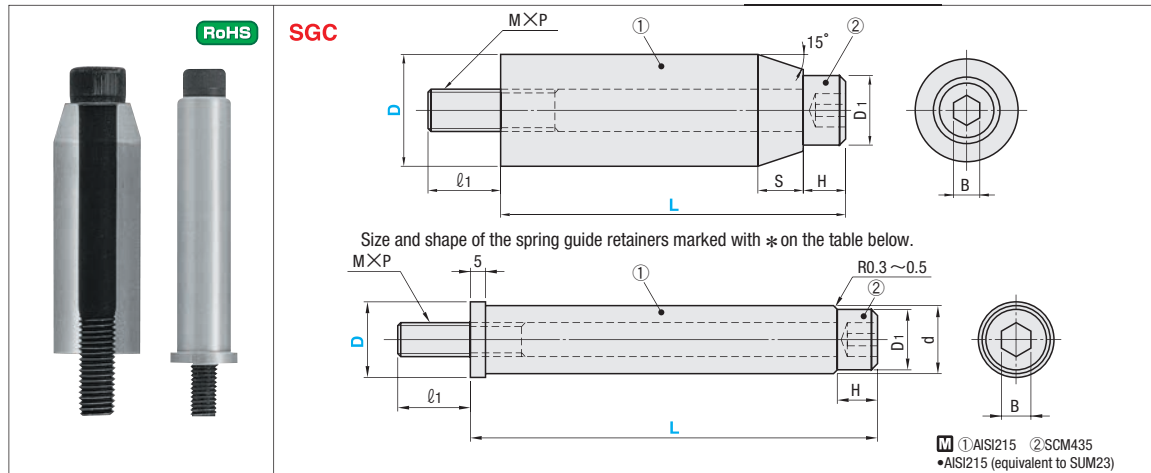


SPRING GUIDE RETAINERS



Printed in Red

The quantity discount rate is also applicable to alteration cost.
All price & lead time are to be quoted.



Size and shape of the spring guide retainers marked with * on the table below.

D	d	D1	B	M × P	H	S	l1	Applicable coil spring				Catalog No.	U/Price
								C	F	L-M-H-B-G-Z-V	X		
6	—	4.5	2	M2.5 × P0.45	2.5	2	9.5	φ12	φ12	φ14	—	SGC 6-18	Quotation
												23	
												28	
8	—	5.5	2.5	M3 × P0.5	3	3	8	φ14	φ16	φ16	φ20	SGC 8-20	
												30	
												40	
												50	
10	—	7	3	M4 × P0.7	4	4	9	φ18	φ20	φ20	φ25	SGC 10-20	
												30	
												40	
												50	
												60	
12	—	8.5	4	M5 × P0.8	5	4	10	φ22	φ25	φ27	—	SGC 12-20	
												30	
												40	
												50	
												60	
14	—	10	5	M6 × P1.0	6	4	11	—	φ30	φ30	—	SGC 14-12	
												20	
												30	
												40	
												50	
												60	
16	—	13	6	M8 × P1.25	8	5	13	φ27	φ35	φ35	φ35	SGC 16-18	
												30	
												60	
												80	

D	d	D1	B	M × P	H	S	l1	Applicable coil spring				Catalog No.	U/Price
								C	F	L-M-H-B-G-Z-V	X		
19	—	—	—	—	—	—	—	φ17	—	—	—	SGC 19-28	Quotation
												40	
												60	
												80	
												100*	
17	16	8	M10 × P1.5	—	—	—	—	φ20	—	φ40	φ40	SGC 20-23	
												40	
												60	
												80	
												100*	
20	—	—	—	—	—	—	—	φ20	—	—	—	SGC 23-30	
												40	
												60	
												80	
												100	
												120*	
23	—	—	—	—	—	—	—	φ22	—	—	—	SGC 26-28	
												60	
												80	
												100*	
												120*	
20	—	—	—	—	—	—	—	φ24	—	—	—	SGC 28-30	
												40	
												60	
												80	
												100	
												120*	
26	—	—	—	—	—	—	—	φ22	—	—	—	SGC 31-28	
												40	
												60	
												80	
												100*	
												120*	
21	—	—	—	—	—	—	—	φ50	—	—	—	SGC 36-40	
												60	
												80	
												100	
												120*	
28	18	10	M12 × P1.75	12	12	—	—	φ60	—	—	—	SGC 31-28	
												40	
												60	
												80	
												100*	
												120*	
31	—	—	—	—	—	—	—	φ60	—	—	—	SGC 36-40	
												60	
												80	
												100*	
												120*	
25	—	—	—	—	—	—	—	φ70	φ70	—	—	SGC 31-28	
												40	
												60	
												80	
												100*	
												120*	
36	—	—	—	—	—	—	—	φ70	φ70	—	—	SGC 36-40	
												60	
												80	
												100*	
												120*	

* Sizes of applicable coil springs present those of outside diameter.



Order Catalog No. SGC 20-23



Delivery Printed in Red Printed in Black SGP Stock 3 Days

For area out of Singapore please refer to P.i.

Quantity discount rate

Quantity	1~19	20~49	50~99	100~200
Rate	—	5%	10%	15%

Stocks Availability Subjected to Prior Sales.

LOAD-DEFLECTION DIAGRAM FOR COIL SPRINGS

High deflection type



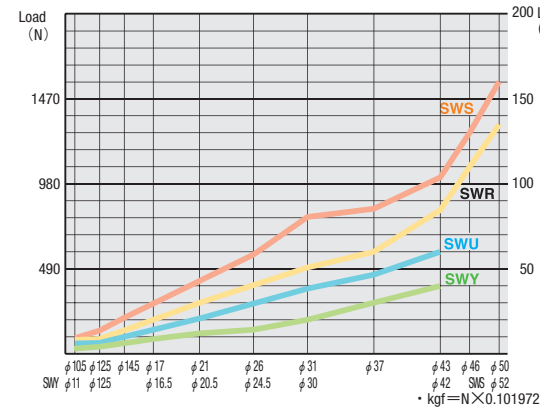
Operation frequency	1 million shots	300,000 times
Deflection rate	65%	70%

Operation frequency	1 million shots	300,000 times
Deflection rate	60%	65%

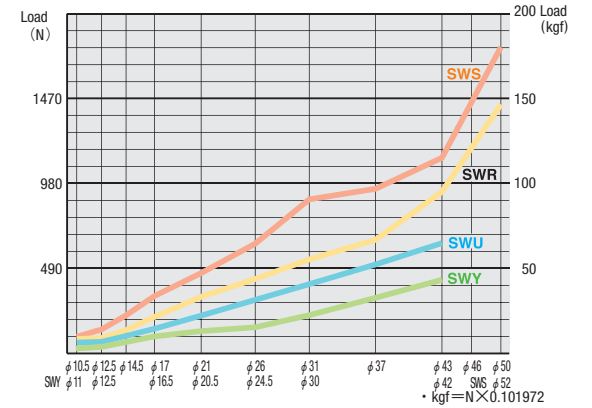
Operation frequency	1 million shots	300,000 times
Deflection rate	50%	55%

Operation frequency	1 million shots	300,000 times
Deflection rate	40%	45%

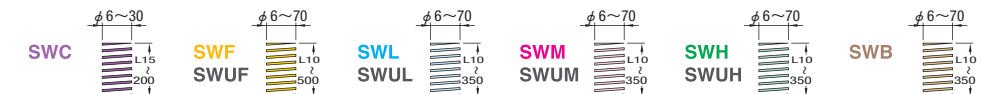
Operation frequency one million times



Operation frequency 300,000 times



Heavy load type

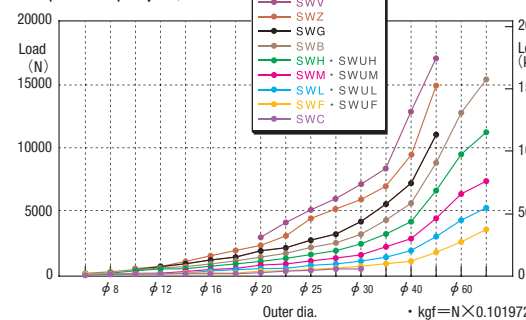


Operation frequency	1 million shots	5 × 10 ⁵	300,000 Times	Deflection rate
SWC	50%	55%	60%	
SWF	40%	45%	50%	
SWU	32%	36%	40%	
SWL	25.6%	28.8%	32%	
SWM	19.2%	21.6%	24%	
SWH	16%	18%	20%	
SWB				



Operation frequency	1 million shots	5 × 10 ⁵	300,000 Times	Deflection rate
SWG	16%	18%	20%	
SWZ	10.5%	12.9%	13%	
SWV	10.5%	12%	13%	

Operation frequency 500,000 times



Operation frequency 300,000 times

