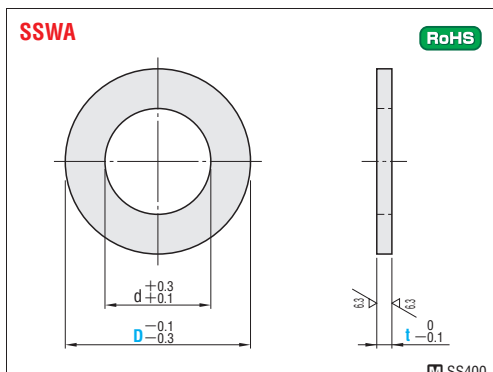


# WASHERS FOR COIL SPRINGS

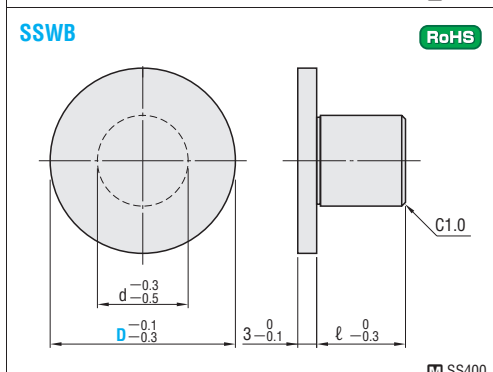


PRINTED IN RED

The quantity discount rate is also applicable to alteration cost.  
All price & lead time are to be quoted.

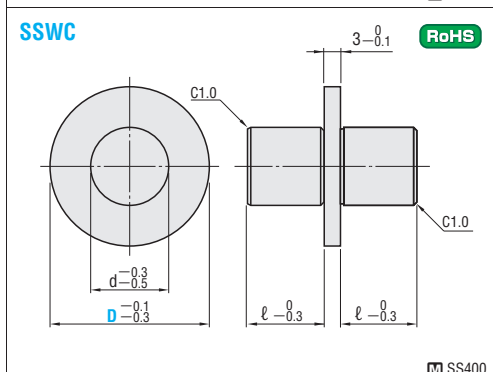


d	Spring diameter	Catalog No.		t					Base unit price 1~19 pieces
		Type	D	5	7	9	11.5	13	
3.0	6	SSWA	5	1.0	2.0	3.0	4.0	5.0	Quotation
5.0	8		7	1.0	2.0	3.0	4.0	5.0	
6.0	10		9	1.0	2.0	3.0	4.0	5.0	
7.0	12		11.5	1.0	2.0	3.0	4.0	5.0	
8.0	14		13	1.0	2.0	3.0	4.0	5.0	
9.0	16		15	1.0	2.0	3.0	4.0	5.0	
10.0	18		17	1.0	2.0	3.0	4.0	5.0	
12.0	20		19	1.0	2.0	3.0	4.0	5.0	
12.0	22		21	1.0	2.0	3.0	4.0	5.0	
14.5	25		24	1.0	2.0	3.0	4.0	5.0	
15.0	27		26	1.0	2.0	3.0	4.0	5.0	
17.0	30		29	1.0	2.0	3.0	4.0	5.0	
20.0	35		34	1.0	2.0	3.0	4.0	5.0	
23.0	40		39	1.0	2.0	3.0	4.0	5.0	



d	ℓ	Spring diameter	Catalog No.		Base unit price 1~19 pieces
			Type	D	
3.5	4.0	8	SSWB	7	Quotation
4.5	5.0	10		9	
5.5	6.0	12		11	
6.5	7.0	14		13	
7.5	8.0	16		15	
8.5	9.0	18		17	
9.5	10.0	20		19	
10.5	11.0	22		21	
12.0	12.0	25		24	
13.0	13.0	27		26	
14.5	15.0	30		29	
17.0	17.0	35		34	
19.5	20.0	40		39	

⊗ Cannot be used for SWC and SWX types.



d	ℓ	Spring diameter	Catalog No.		Base unit price 1~19 pieces
			Type	D	
3.5	4.0	8	SSWC	7	Quotation
4.5	5.0	10		9	
5.5	6.0	12		11	
6.5	7.0	14		13	
7.5	8.0	16		15	
8.5	9.0	18		17	
9.5	10.0	20		19	
10.5	11.0	22		21	
12.0	12.0	25		24	
13.0	13.0	27		26	
14.5	15.0	30		29	
17.0	17.0	35		34	
19.5	20.0	40		39	

⊗ Cannot be used for SWC and SWX types.



Order

Catalog No. — t

SSWA 15 — 2.0  
SSWC 9



Delivery

• Printed in Red • Printed in Blue  
SGP Stock **3** Days

📍 For area out of Singapore, please refer to P.i.

**Quantity discount rate**

Quantity	1~19	20~49	50~199	200~500
Rate	—	5%	10%	15%



Example

